



MODEL NO : TM101JVHG30

MODEL VERSION: 05

SPEC VERSION : V1.0

ISSUED DATE: 2018-11-07

- Preliminary Specification
- Final Product Specification

Customer : _____

Approved by	Notes

TIANMA Confirmed :

Prepared by	Checked by	Approved by
Gang.li	Longping.Deng	

This technical specification is subjected to change without notice



Table of Contents

Table of Contents.....	2
Record of Revision.....	3
1 General Specifications.....	4
2 Input/Output Terminals.....	5
3 Absolute Maximum Ratings.....	6
4 Electrical Characteristics.....	7
5 Timing Chart.....	11
6 Optical Characteristics.....	14
7 Environmental / Reliability Test.....	19
8 Mechanical Drawing.....	20
9 Packing Drawing.....	21
10 Precautions For Use of LCD Modules.....	22



1 General Specifications

	Feature	Spec
Display Spec.	Size	10.1 inch
	Resolution	1280(RGB) x 800
	Technology Type	SFT
	Pixel Configuration	R.G.B. Vertical Stripe
	Pixel Pitch (mm)	0.1695x0.1695
	Display Mode	TM with Normally Black
	Viewing Direction	All direction
Capacitive TP Characteristics	Operation Technology	Projected capacitive
	Input Method	Bare finger
	Number of simultaneous touches	10 points multi-touch
	Surface hardness	7H
	Surface treatment	AG
	Minimum Touch Area (mm)	Φ6
	Product structure	Glass Lens – Glass Sensor
	Interface	IIC
Mechanical Characteristics	Module (W x H x D) (mm)	233.93x156.00x6.73
	Active Area(mm)	CTP: 219.76x138.40 LCD: 216.96x135.60
	With /Without TSP	With TSP
	Matching Connection Type	LCD: IPEX 20453-040T-1 CTP:TF31-6S-1SH
	Weight (g)	TBD
Electrical Characteristics	Interface	1port LVDS, 6/8bit selectable
	Color Depth	262K/16.7M
	LCD Driver IC	ST5084*1,ST5821*3
	Capacitive TP control IC	ILI2511
	Capacitive TP IIC address	0x41

Note 1: Viewing direction for best image quality is different from TFT definition, there is a 180 degree shift.

Note 2 : Requirements on Environmental Protection: Q/S0002+HF

Note 3 : LCM weight tolerance : +/- 5%



2 Input/Output Terminals

2.1 LCD interface pin assignment

Connector type: JAE HD1S040HA1 or compatible
Mating Connector: IPEX 20453-040T-1 or compatible

No	Symbol	I/O	Description	Comment
1	NC	-	No Connection	
2	VDD	P	Power Supply +3.3V	
3	VDD	P	Power Supply +3.3V	
4	VDD	P	Power Supply +3.3V	
5	NC	-	No Connection	
6	NC	-	No Connection	
7	NC	-	No Connection	
8	Rxin0-	I	-LVDS differential data input(R0~R5,G0)	
9	Rxin0+	I	+LVDS differential data input(R0~R5,G0)	
10	GND	P	Power ground	
11	Rxin1-	I	-LVDS differential data input(G1~G5,B0~B1)	
12	Rxin1+	I	+LVDS differential data input(G1~G5,B0~B1)	
13	GND	P	Power ground	
14	Rxin2-	I	-LVDS differential data input(B2~B5,HS,VS,DE)	
15	Rxin2+	I	+LVDS differential data input(B2~B5,HS,VS,DE)	
16	GND	P	Power ground	
17	RxCLK-	I	-LVDS differential data input	
18	RxCLK+	I	+LVDS differential data input	
19	GND	P	Power ground	
20	Rxin3-	I	-LVDS differential data input(R6~R7,G6~G7,B6~B7)	Connect to GND in 6 bit mode
21	Rxin3+	I	+LVDS differential data input(R6~R7,G6~G7,B6~B7)	
22	GND	P	Power ground	
23	NC	-	No Connection	
24	NC	-	No Connection	
25	GND	P	Power ground	
26	NC	-	No Connection	
27	SEL6/8	-	SEL6/8="H", 6bit; SEL6/8="L", 8bit	
28	GND	P	Power ground	
29	NC	-	No Connection	
30	NC	-	No Connection	
31	VLED_GND	P	VLED Ground	
32	VLED_GND	P	VLED Ground	
33	VLED_GND	P	VLED Ground	
34	NC	-	No Connection	
35	VLED_PWM	P	Backlight dimming control (NC: 100%duty cycle)	
36	VLED_EN	P	Backlight on/off control (High or NC:ON , Low:OFF)	
37	NC	-	No Connection	
38	VLED	P	Backlight power supply	
39	VLED	P	Backlight power supply	
40	VLED	P	Backlight power supply	



2.2 Capacitive TP pin assignment

Matching Connection Type: TF31-6S-1SH

No	Symbol	I/O	Description	Comment
1	INT	I	Interrupt pin	
2	SDA	I	IIC data	
3	SCL	I	IIC clock	
4	RESET	I	Reset pin	
5	VDD	P	Power Supply +3.3V	
6	GND	P	Ground	

Note: I/O definition:

I----Input P----Power/Ground

3 Absolute Maximum Ratings

GND=0V

Item	Symbol	MIN	MAX	Unit	Remark
Voltage Input	V _{in}	-0.50	5.00	V	Note1
Operating Temperature	T _{op}	-20.0	70.0	°C	
Storage Temperature	T _{st}	-30.0	80.0	°C	
Relative Humidity (Note2)	RH	--	≤95	%	T _a ≤ 40°C
		--	≤85	%	40°C < T _a ≤ 50°C
		--	≤55	%	50°C < T _a ≤ 60°C
		--	≤36	%	60°C < T _a ≤ 70°C
		--	≤24	%	70°C < T _a ≤ 80°C
Absolute Humidity	AH	--	≤70	g/m ³	T _a > 70°C

Table 3.1 absolute maximum rating

Note1: Input voltage include Rxin0-/+, Rxin1-/+, Rxin2-/+, Rxin3-/+, RxCLK-/+, SEL6/8,VDD,INT,SDA,SCL,RESET.

Note2: T_a means the ambient temperature.

It is necessary to limit the relative humidity to the specified temperature range.
Condensation on the module is not allowed.



4 Electrical Characteristics

4.1 Capacitive TP DC characteristics

VCC=3.3V,GND=0V, Ta=25°C

Item	Symbol	MIN	TYP	MAX	Unit	Remark
Power supply Voltage	VDD	3.14	3.3	3.46	V	
IO voltage	V _{IO}	3.14	3.3	3.46		
Power supply current	I _{TP}	-	TBD	-	mA	Operating mode

Table 4.1 LCD module electrical characteristics

4.2 Driving LCD

VCC=3.3V,GND=0V, Ta=25°C

Item	Symbol	MIN	TYP	MAX	Unit	Remark
Power supply Voltage	VDD	3.00	3.30	3.60	V	
Power supply ripple	V _{p-p}	-	-	100	mV	
Power supply current	IDD	-	300	-	mA	
Power consumption	P	-	990	-	mW	Note1
Differential input voltage	V _{id}	200	-	600	mV	
Differential input common voltage	V _{cm}	-	1.2	-	V	
Differential input threshold voltage	Low level	V _{TL}	-100	-	mV	
	High level	V _{TH}	-	100	mV	
Inrush current	I _{rush}	-	-	1.5	A	

Table 4.2 LCD module electrical characteristics

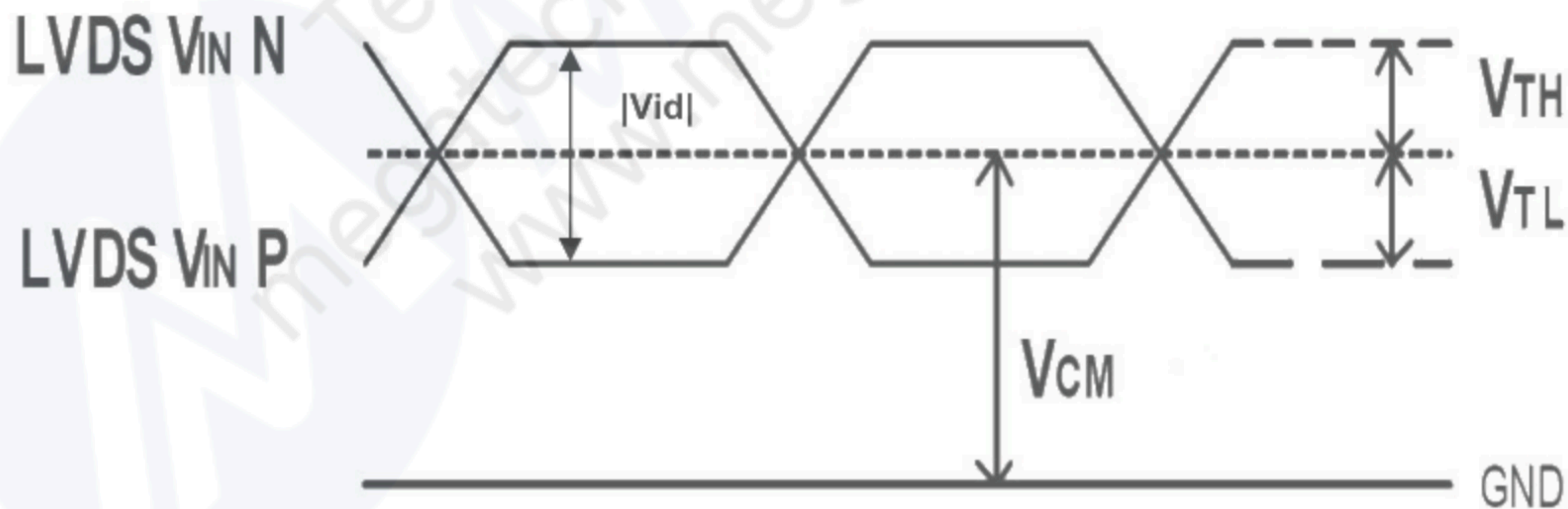


Figure 4.1 LVDS DC characteristics

Note1: Tested on all white pattern.



4.3 Driving Backlight

Ta=25°C

Item	Symbol	Min	Typ	Max	Unit	Remark	
Backlight power supply voltage	VLED	5.5	12	12.5	V	Note1	
Backlight power supply current	I_LED	-	322	-	mA		
Backlight power consumption	P_LED	-	3864	-	mW		
Input voltage for VLED_PWM signal	High level	-	2.0	-	5.0	V	
	Low level	-	0	-	0.4	V	
Input voltage for VLED_EN	High level	-	2.0	-	5.0	V	
	Low level	-	0	-	0.4	V	
VLED_PWM frequency	Fpwm	200	-	20k	HZ		
VLED_PWM duty	D	5	-	100	%	Note2	
Operating Life Time	--	-	50000	--	hrs	Note3	

Note 1: Power consumption include driver circuit, lower the VLED higher the I_LED.

Note 2: According to LED driver IC characteristics, the minimum value of VLED_PWM duty may vary with VLED_PWM frequency, higher the frequency, bigger the duty.

Note 3: 1>.Optical performance should be evaluated at Ta=25°C only.

2>.If LED is driven by high current, high ambient temperature & humidity condition. The life time of LED will be reduced.

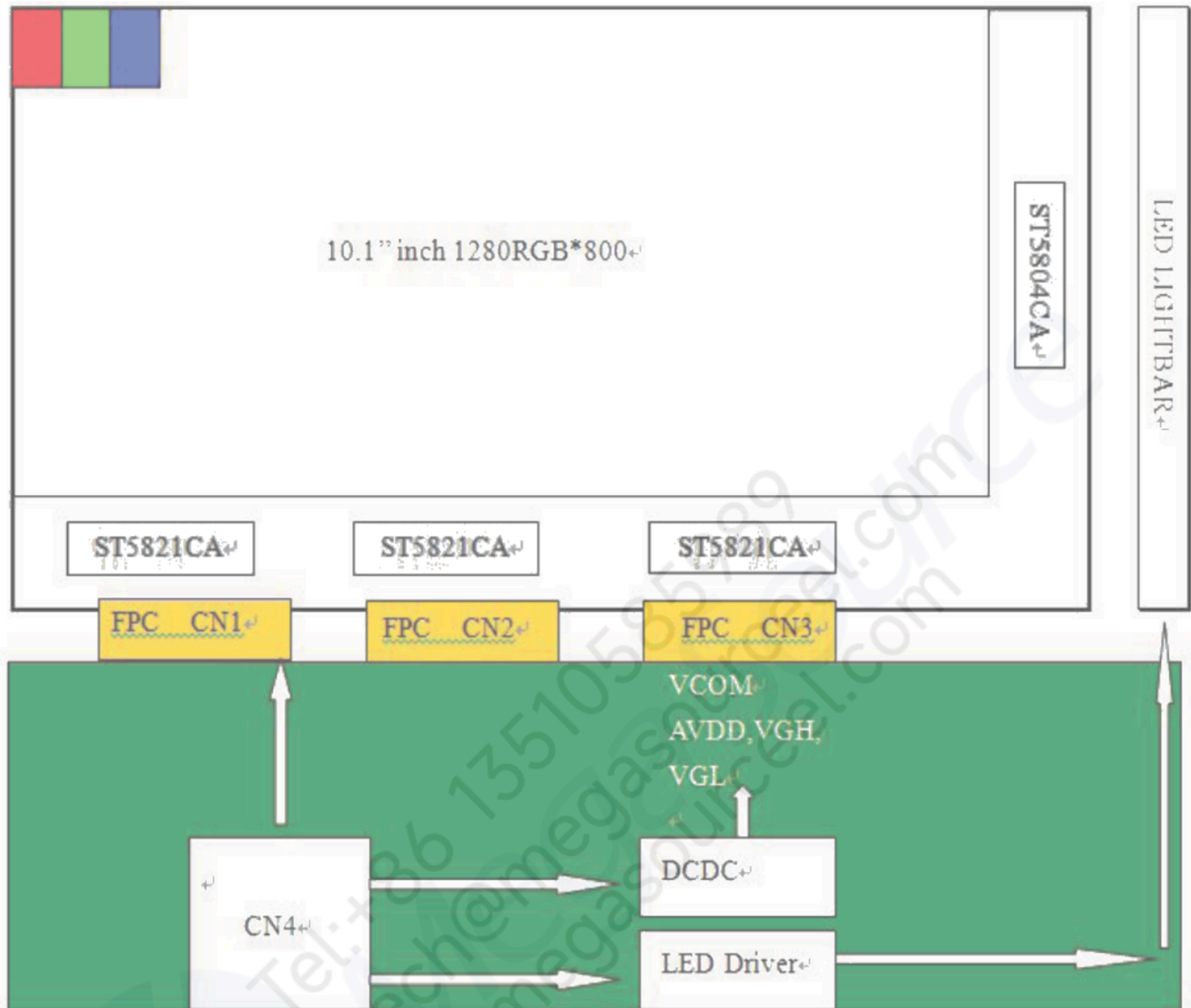
3>.Operating life means brightness goes down to 50% of initial brightness.

4>.Typical operating life time is estimated data.



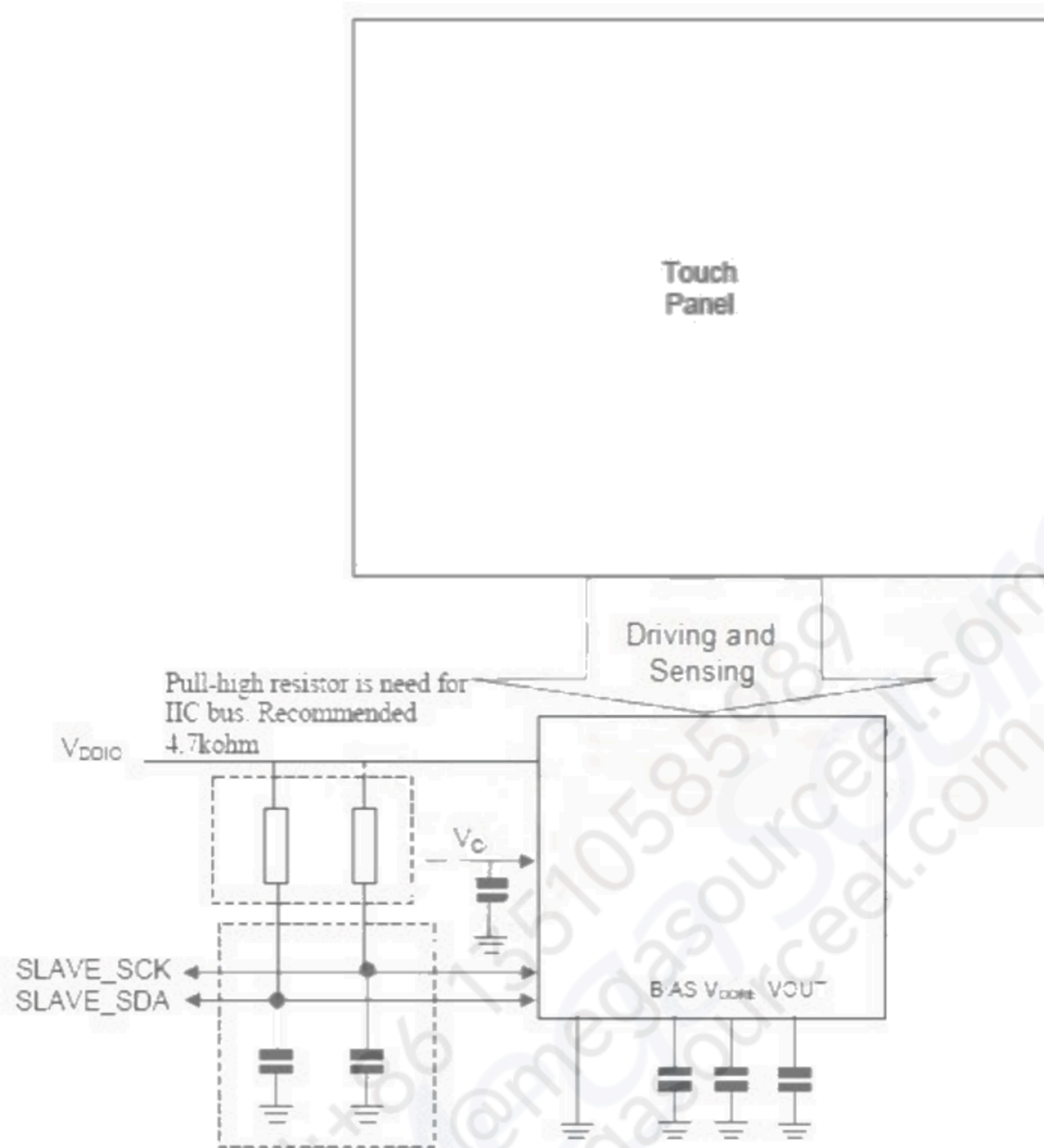
4.4 Block Diagram

4.4.1 LCD block diagram





4.4.2 Capacitive TP block diagram



Note : We recommend using 4.7K IIC pull-up resistors, when customers use can make changes based on specific application.



5 Timing Chart

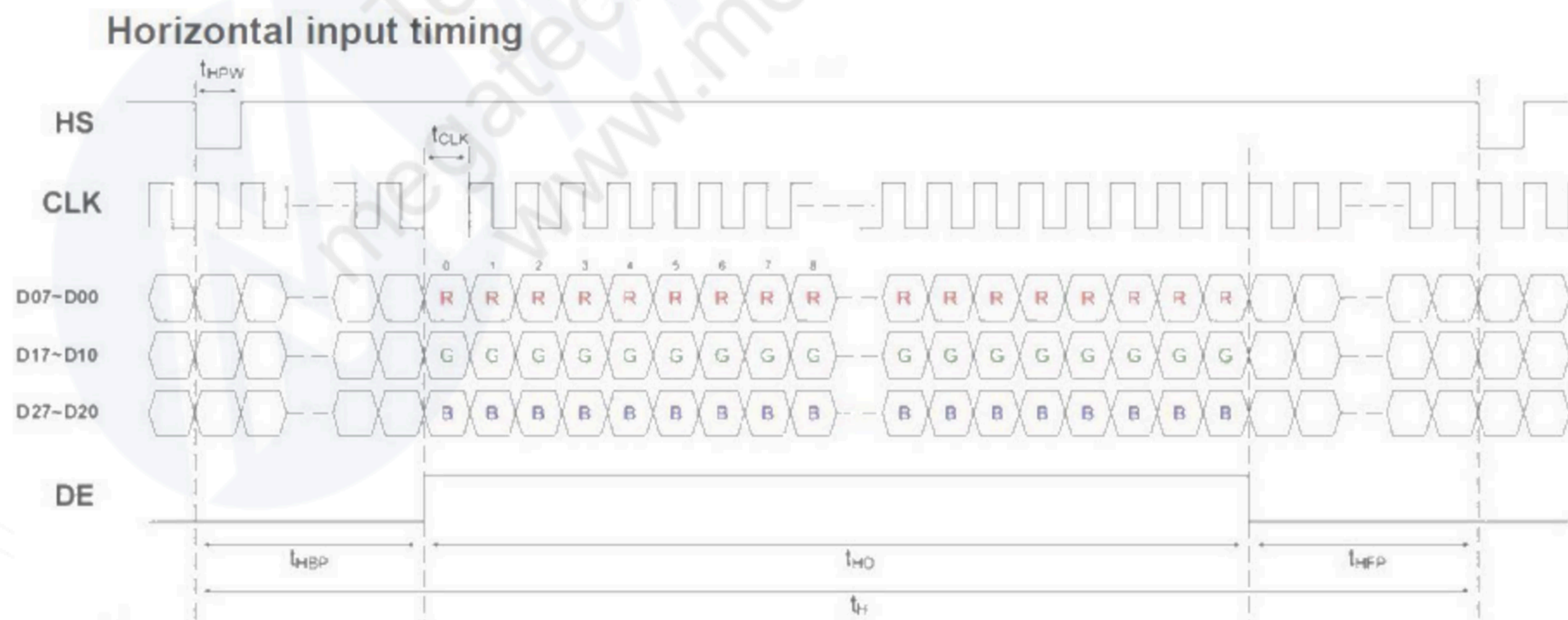
5.1 LVDS signal timing characteristics

VCC=3.3V, GND=0V, Ta=25°C

Parameter	Symbol	Min	Typ	Max	Unit	Remark
CLK frequency	1/t _{clk}	62.6	68.2	78.1	MHz	Calculated at 60HZ frame rate
Horizontal blanking time	t _{HBT}	20	69	164	t _{clk}	t _{hbp} + t _{HFP}
Horizontal back porch	t _{HBP}	-	5	164- t _{HFP}	t _{clk}	
Horizontal display area	t _{HD}	-	1280	-	t _{clk}	
Horizontal front porch	t _{HFP}	15	64	159	t _{clk}	
Horizontal period	t _H	1300	1349	1444	t _{clk}	
Horizontal pulse width	t _{HPW}	-	1	256	t _{clk}	
Vertical blanking time	t _{VBT}	5	42	101	t _H	t _{vbp} + t _{vfp}
Vertical back porch	t _{VBP}	-	2	101- t _{vfp}	t _H	
Vertical display area	t _{VD}	-	800	-	t _H	
Vertical front porch	t _{VFP}	3	40	99	t _H	
Vertical period	t _V	803	842	901	t _H	
Vertical pulse width	t _{VPW}	-	1	128	t _H	
Frame Rate	F	50	60	70	HZ	

Table 5.1 timing parameter

5.2 Input Clock and Data timing Diagram:





Vertical input timing

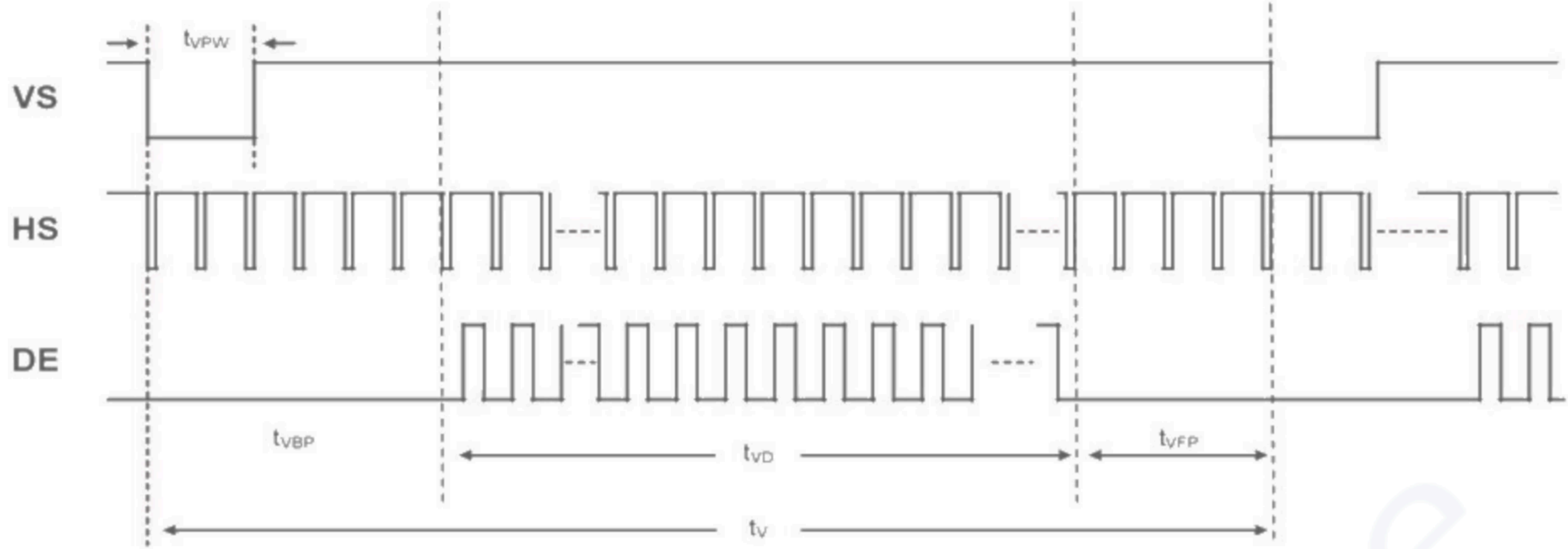
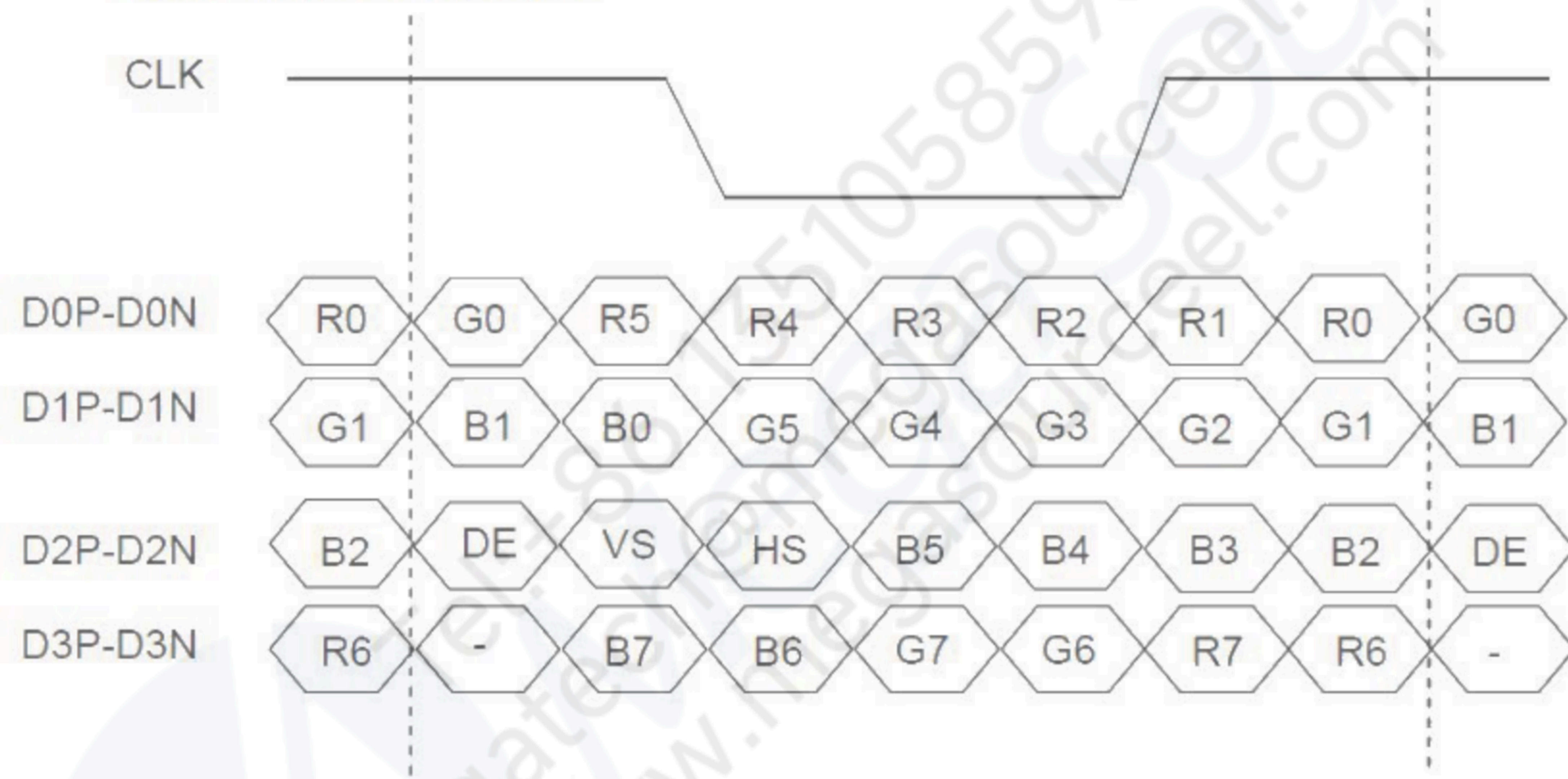


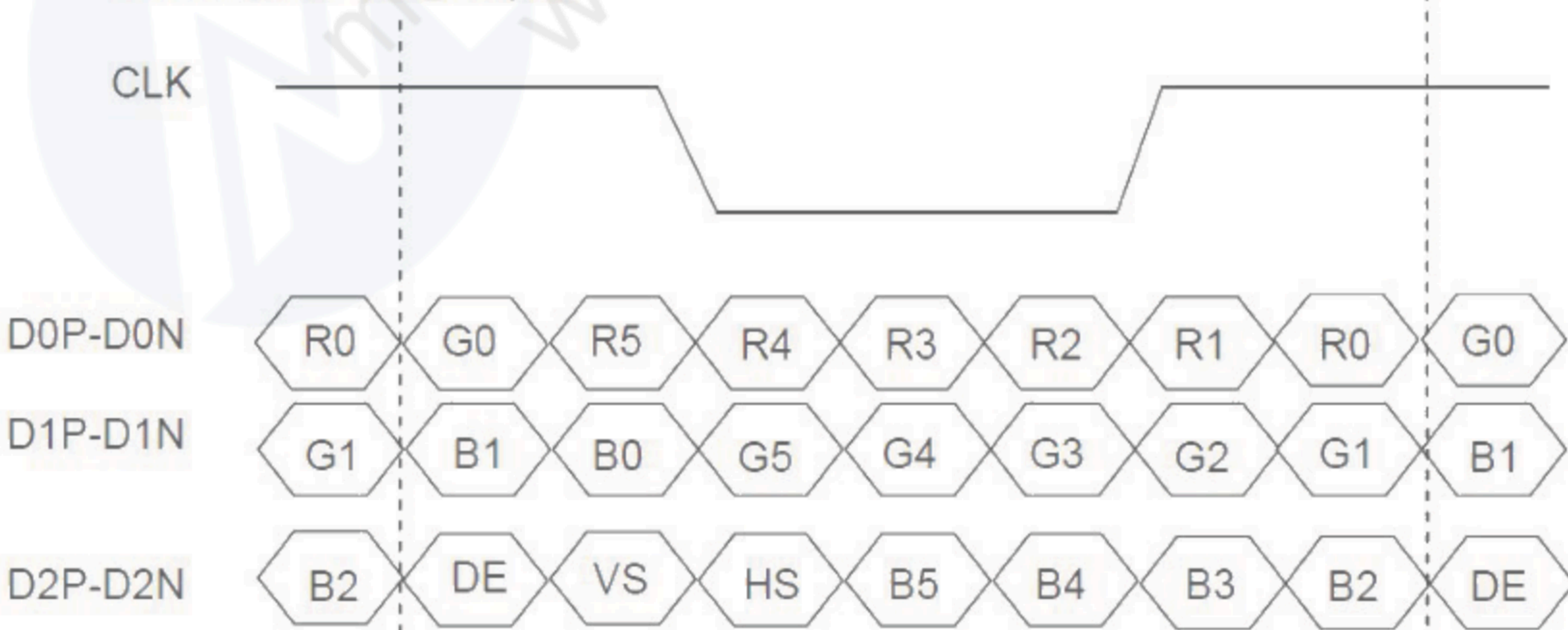
Figure 5.2 Input signal data timing

5.3 LVDS data input format

8-bit mode data input



6-bit mode data input





5.4 Power On/Off Sequence

Item	Symbol	Min	Typ	Max	Unit	Remark
VDD on to VDD stable	Tp1	0.5	-	10	ms	
VDD stable to signal on	Tp2	0	-	50	ms	
Signal on to VLED_EN on	Tp3	200	-	-	ms	
PWM on to VLED_EN on	Tp4	0	-	200	ms	
VLED to PWM on	Tp5	10	-	-	ms	
VLED on to VLED stable	Tp6	0.5	-	10	ms	
VDD off time	Tp7	0	-	10	ms	
VDD off to next VDD on	Tp8	500	-	-	ms	
Signal off before VDD off	Tp9	0	-	50	ms	
VLED_EN off before signal off	Tp10	200	-	-	ms	
VLED_EN off before PWM off	Tp11	0	-	200	ms	
PWM off before VLED off	Tp12	10	-	-	ms	

Table 5.1 Power on/off sequence

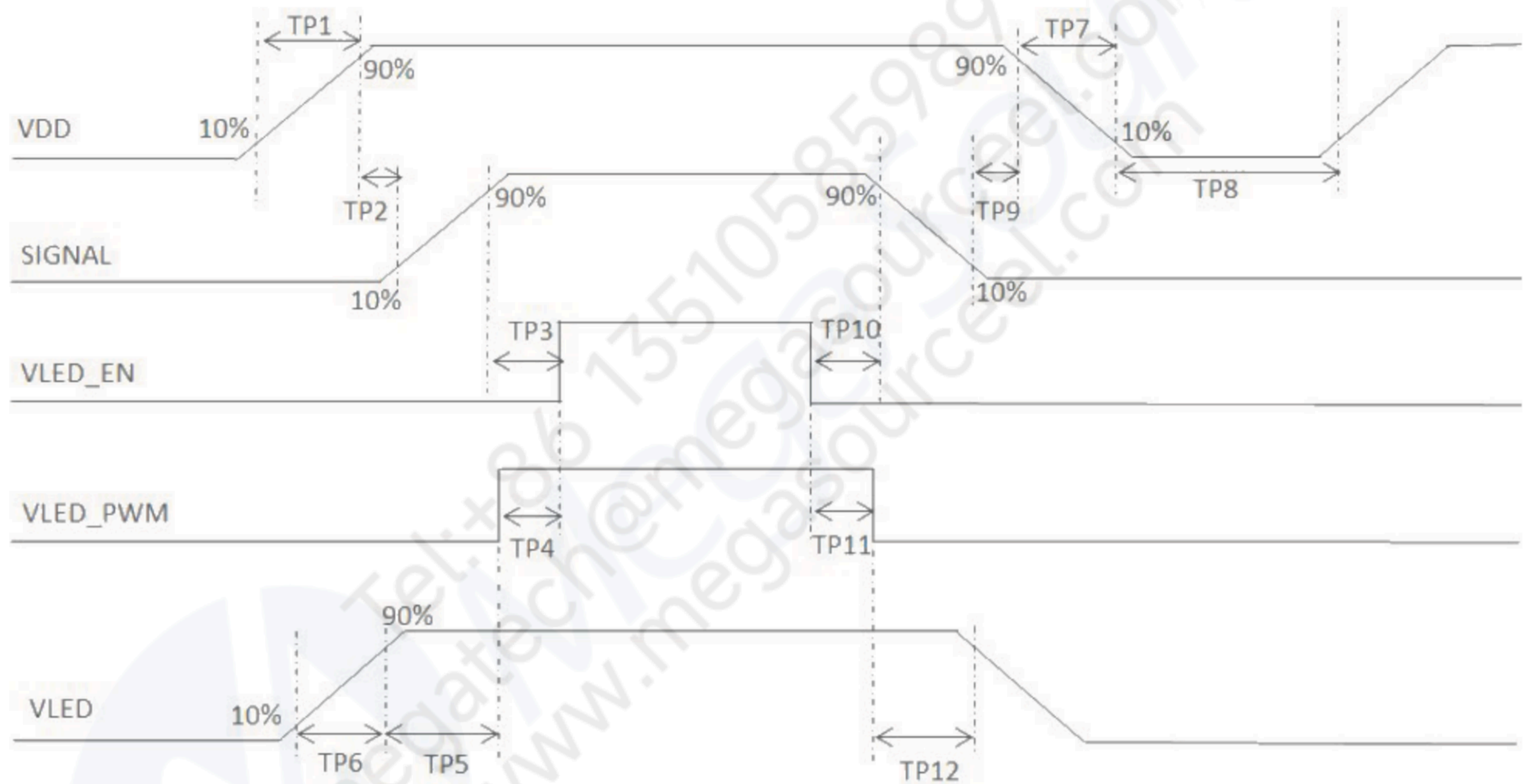


Figure 5.2 Interface power on/off sequence



6 Optical Characteristics

6.1 Optical Specification

Ta=25°C

Item	Symbol	Condition	Min	Typ	Max	Unit	Remark
View Angles	θT	$CR \geq 10$	75	85	-	Degree	Note 2
	θB		75	85	-		
	θL		75	85	-		
	θR		75	85	-		
Contrast Ratio	CR	$\theta=0^\circ$	600	800	-	-	Note1 Note3
Response Time	$T_{ON}+T_{OFF}$	25°C	-	25	40	ms	Note1 Note4
Chromaticity	White	x	0.252	0.302	0.352	-	Note5 Note1
		y	0.277	0.327	0.377		
	Red	x	0.528	0.578	0.628		
		y	0.272	0.322	0.372		
	Green	x	0.296	0.346	0.396		
		y	0.528	0.578	0.628		
	Blue	x	0.104	0.154	0.204		
		y	0.042	0.092	0.142		
Uniformity	U	-	75	80	-	%	Note1 Note6
NTSC	-	-	-	50	-	%	Note 5
Luminance	L	-	350	430	-	cd/m ²	Note1 Note7

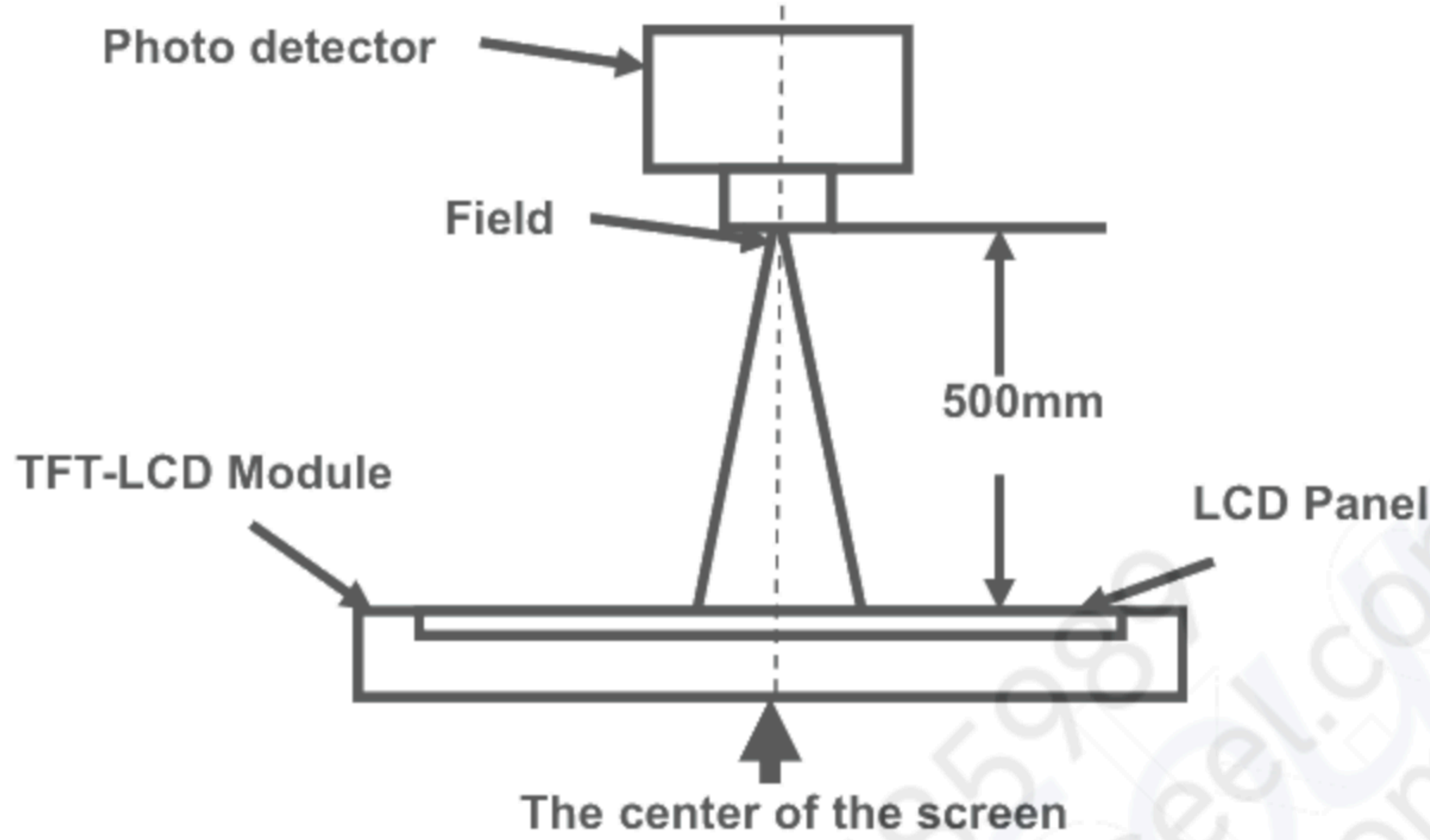
Test Conditions:

1. The ambient temperature is $25 \pm 2^\circ\text{C}$. humidity is $65 \pm 7\%$
2. The test systems refer to Note 1 and Note 2.



Note 1: Definition of optical measurement system.

The optical characteristics should be measured in dark room. After 5 minutes operation, the optical properties are measured at the center point of the LCD screen. All input terminals LCD panel must be ground when measuring the center area of the panel.



Note 2: Definition of viewing angle range and measurement system.

Viewing angle is measured at the center point of the LCD.

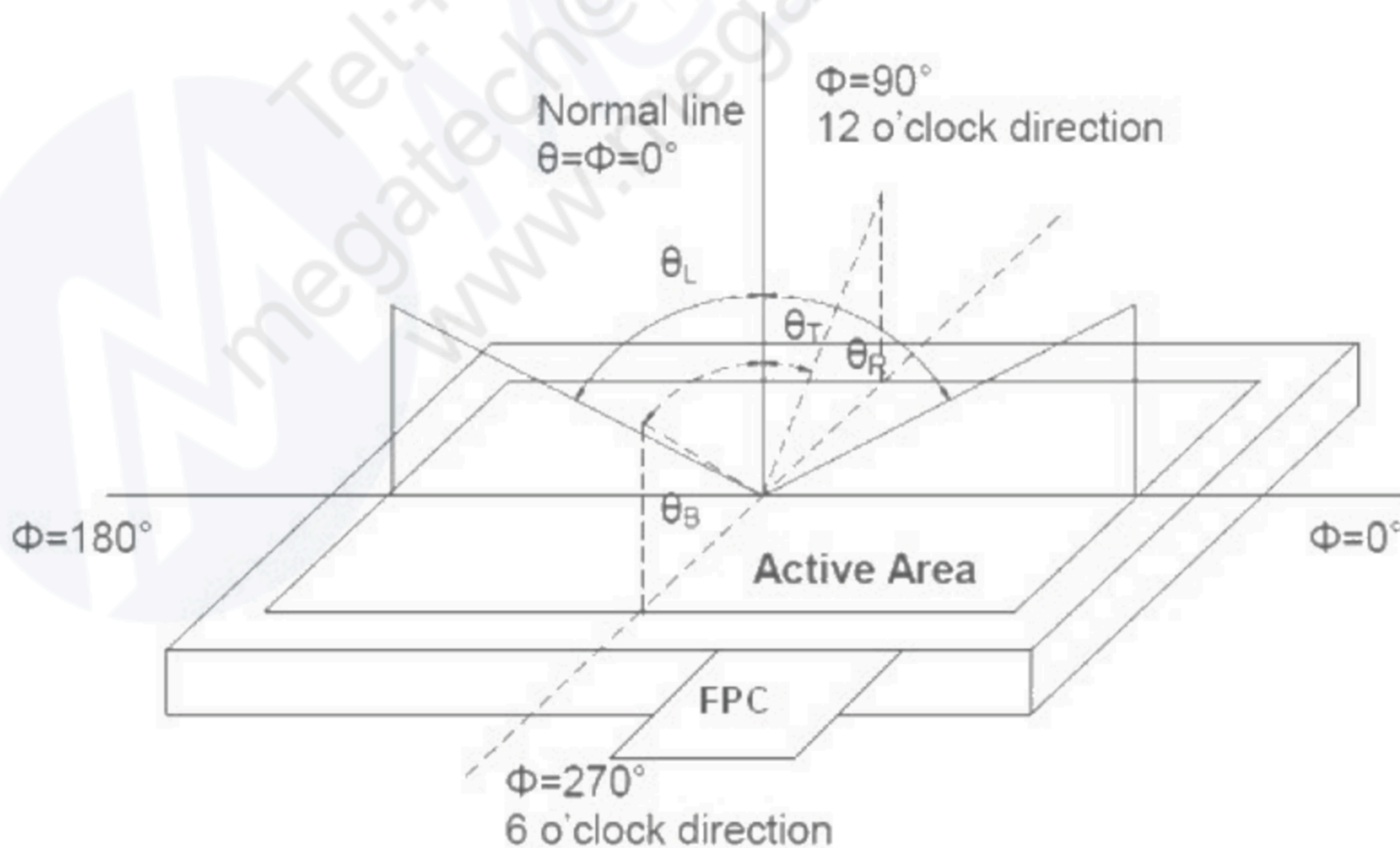


Fig. 1 Definition of viewing angle



Note 3: Definition of contrast ratio

$$\text{Contrast ratio (CR)} = \frac{\text{Luminance measured when LCD is on the "White" state}}{\text{Luminance measured when LCD is on the "Black" state}}$$

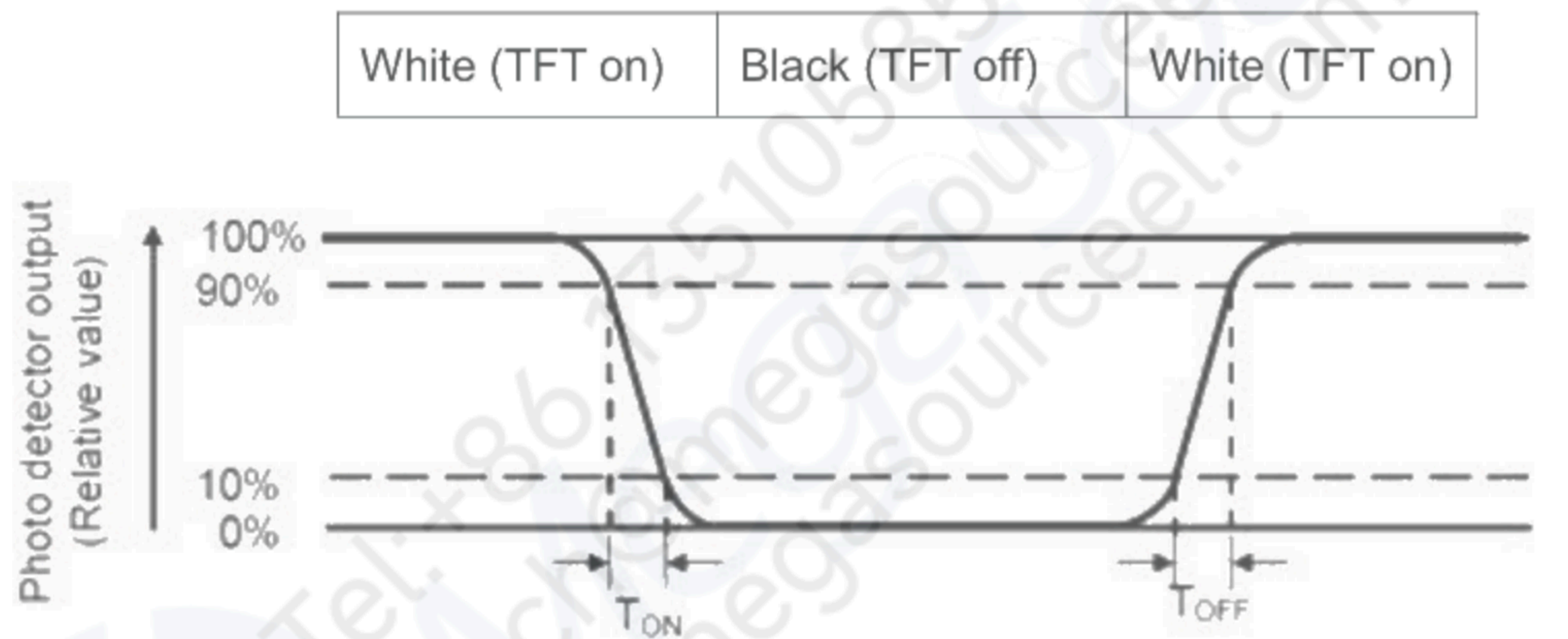
“White state “:The state is that the LCD should driven by V_{white} .

“Black state”: The state is that the LCD should driven by V_{black} .

V_{white} : To be determined V_{black} : To be determined.

Note 4: Definition of Response time

The response time is defined as the LCD optical switching time interval between “White” state and “Black” state. Rise time (T_{ON}) is the time between photo detector output intensity changed from 90% to 10%. And fall time (T_{OFF}) is the time between photo detector output intensity changed from 10% to 90%.



Note 5: Definition of color chromaticity (CIE1931)

Color coordinates measured at center point of LCD.

**Note 6: Definition of Luminance Uniformity**

Active area is divided into 9 measuring areas (Refer Fig. 2). Every measuring point is placed at the center of each measuring area.

$$\text{Luminance Uniformity}(U) = L_{\min} / L_{\max}$$

L-----Active area length W----- Active area width

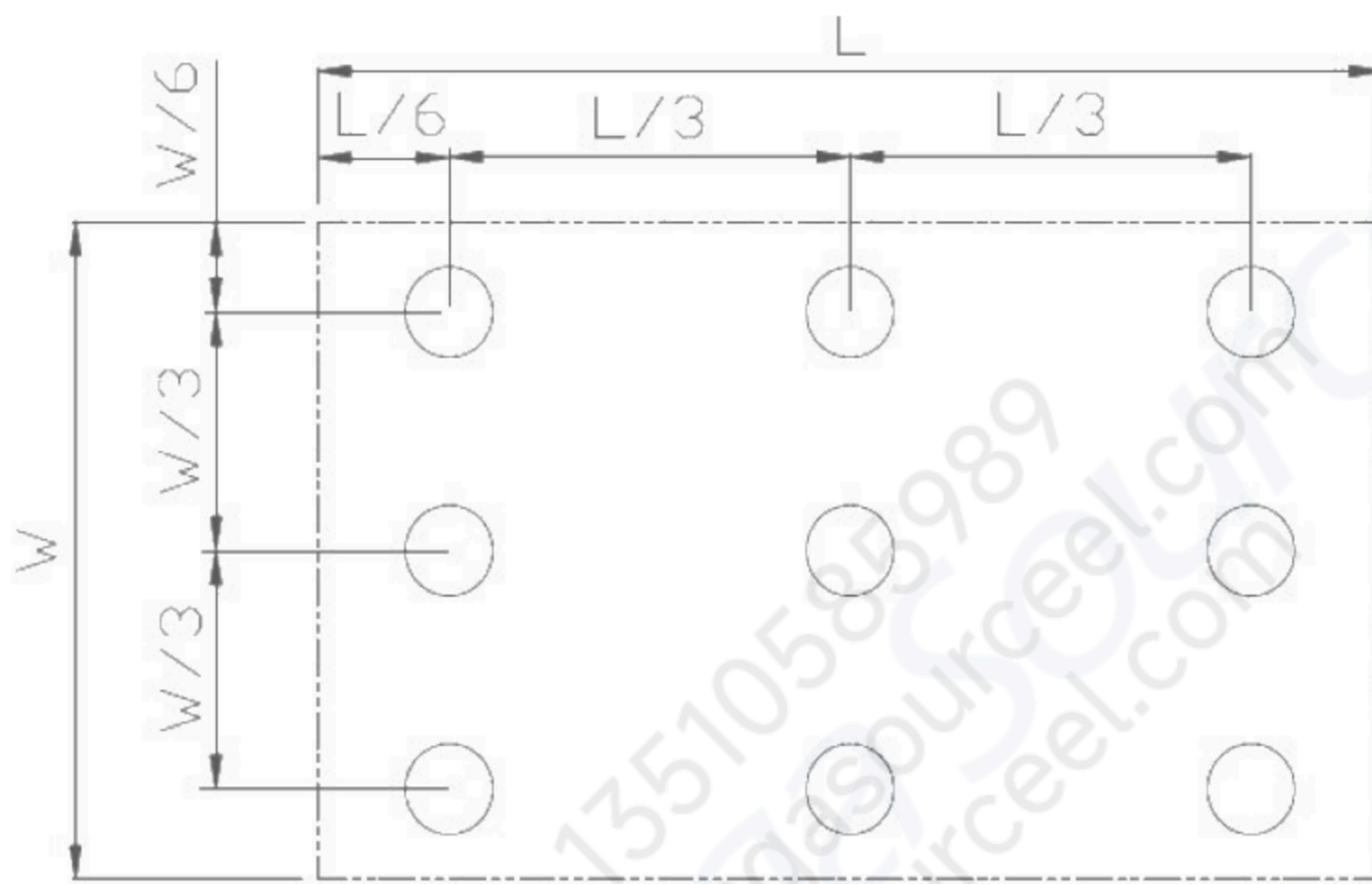


Fig. 2 Definition of uniformity

L_{\max} : The measured maximum luminance of all measurement position.

L_{\min} : The measured minimum luminance of all measurement position.

Note 7: Definition of Luminance :

Measure the luminance of white state at center point.



6.2 Capacitive TP optical specification

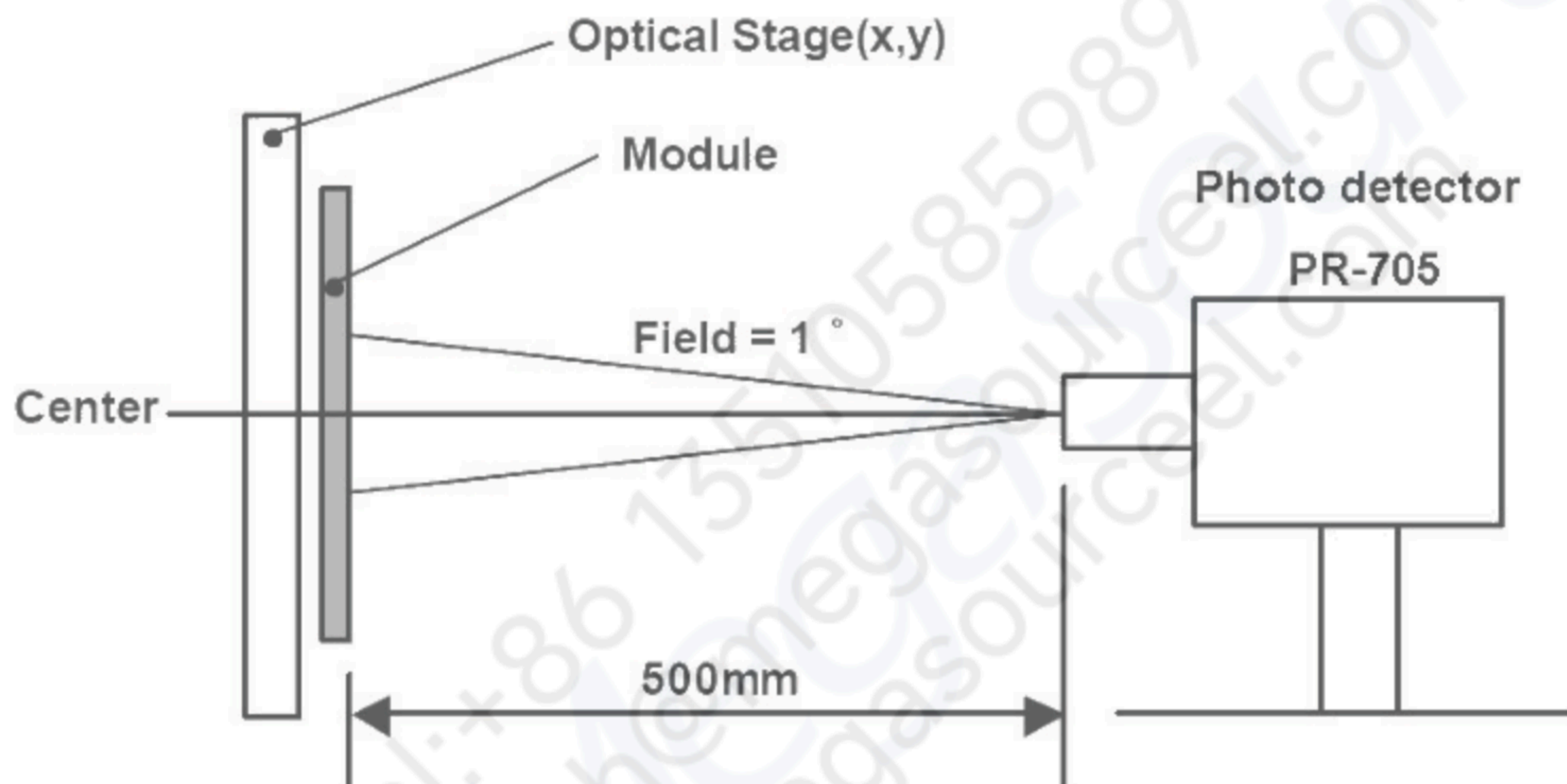
Ta=25°C

No.	Item	Min.	Typ.	Max.	Unit	Remark
1	Transmission	86	88	-	%	Note 1,2
2	HAZE	3	-	8	%	

Note1: Measuring equipment: DMS-501, PR-705. @550nm

Measuring condition:

- After stabilizing and leaving the panel alone at a given temperature for 30 min, the measurement should be executed,
- Measuring surroundings: a stable, windless and dark room,
- Measuring temperature: Ta=25°C,
- 30min after lighting the back-light.



Note2: conform to National standard GB2410—80 /ASTM D1003—61(1997)



7 Environmental / Reliability Test

7.1 Module reliability test

No	Test Item	Condition	Remark
1	High Temperature Operation	Ts=+70°C, 240hrs	IEC60068-2-1:2007, GB2423.2-2008
2	Low Temperature Operation	Ta=-20°C, 240hrs	IEC60068-2-1:2007 GB2423.1-2008
3	High Temperature Storage (non-operation)	Ta=+80°C, 240hrs	IEC60068-2-1:2007 GB2423.2-2008
4	Low Temperature Storage (non-operation)	Ta=-30°C, 240hrs	IEC60068-2-1:2007 GB2423.1-2008
5	High Temperature & High Humidity Operation	Ta = +60°C, 90% RH max,240 hours	IEC60068-2-78 :2001 GB/T2423.3—2006
6	Thermal Shock (non-operation)	-30°C 30 min~+80°C 30 min, Change time:5min,100cycles Start with cold temperature, End with high temperature,	IEC60068-2-14:1984, GB2423.22-2002
7	Electro Static Discharge (operation)	C=150pF,R=330Ω; Contact:±4Kv, 5times; Air:± 8KV,5times; (Environment:15°C~35°C, 30%~60%.86Kpa~106Kpa)	IEC61000-4-2:2001 GB/T17626.2-2006
8	Shock(LCM) (non-operation)	Half Sine Wave 60G ,6ms,±X,±Y,±Z 3times for each direction	IEC60068-2-27:1987 GB/T2423.5—1995
9	Vibration (non-operation)	Frequency range: 10~55Hz, Stroke: 1.5mm, Sweep: 10Hz~55Hz~10Hz, 2h for x, y, z (total 6h)	IEC60068-2-6:1982 GB/T2423.10—1995
10	Package Vibration Test	Frequency : 5-20-200HZ , PSD : 0.01-0.01-0.001 Total:0.781g ² /HZ (x/y/z 30min each)	IEC60068-2-34 GB/T2423.11
11	Package Drop Test	Height:60 cm,1 corner, 3 edges, 6 surfaces	IEC60068-2-32:1990 GB/T2423.8—1995

Note1: Ts is the temperature of panel's surface.

Note2: Ta is the ambient temperature of sample.

7.2 Capacitive TP reliability test

No.	Item	Requirement	Remark
1	Impact test	No crack after test	130g steel ball, 60cm high dropped on glass surface(1 time)
2	Surface hardness test	7H	JIS-K5600

The information contained herein is the exclusive property of SHANGHAI TIANMA MICRO-ELECTRONICS Corporation, and shall not be distributed, reproduced, or disclosed in whole or in part without prior written permission of SHANGHAI TIANMA MICRO-ELECTRONICS Corporation.



9 Packing Drawing

No	Item	Model (Material)	Dimensions(mm)	Unit Weight(Kg)	Quantity	Remark
1	LCM module	TM101JVHG30	233.93x156.0x6.73	TBD		
2						
3						
4						
5						
6						
7						
8						
9						
	Total weight(Kg)			TBD		

The packing method is shown as below:

- 9.1 Put module into anti-static bag
- 9.2 Dummy packing assembling
- 9.3 LCD module assembling
- 9.4 Box sealent
- 9.5 Stacking method(2x3x5)



10 Precautions For Use of LCD Modules

10.1 Handling Precautions

- 10.1.1 The display panel is made of glass. Do not subject it to a mechanical shock by dropping it from a high place, etc.
- 10.1.2 If the display panel is damaged and the liquid crystal substance inside it leaks out, be sure not to get any in your mouth, if the substance comes into contact with your skin or clothes, promptly wash it off using soap and water.
- 10.1.3 Do not apply excessive force to the display surface or the adjoining areas since this may cause the color tone to vary.
- 10.1.4 The polarizer covering the display surface of the LCD module is soft and easily scratched. Handle this polarizer carefully.
- 10.1.5 If the display surface is contaminated, breathe on the surface and gently wipe it with a soft dry cloth. If still not completely clear, moisten cloth with one of the following solvents:
- Isopropyl alcohol
 - Ethyl alcohol
- Solvents other than those mentioned above may damage the polarizer. Especially, do not use the following:
- Water
 - Ketone
 - Aromatic solvents
- 10.1.6 Do not attempt to disassemble the LCD Module.
- 10.1.7 If the logic circuit power is off, do not apply the input signals.
- 10.1.8 To prevent destruction of the elements by static electricity, be careful to maintain an optimum work environment.
- 10.1.8.1 Be sure to ground the body when handling the LCD Modules.
- 10.1.8.2 Tools required for assembly, such as soldering irons, must be properly ground.
- 10.1.8.3 To reduce the amount of static electricity generated, do not conduct assembly and other work under dry conditions.
- 10.1.8.4 The LCD Module is coated with a film to protect the display surface. Be care when peeling off this protective film since static electricity may be generated.

10.2 Storage Precautions

- 10.2.1 When storing the LCD modules, avoid exposure to direct sunlight or to the light of fluorescent lamps.
- 10.2.2 The LCD modules should be stored under the storage temperature range. If the LCD modules will be stored for a long time, the recommend condition is:
- Temperature : 0°C ~ 40°C Relatively humidity: ≤80%
- 10.2.3 The LCD modules should be stored in the room without acid, alkali and harmful gas.

10.3 Transportation Precautions

The LCD modules should be no falling and violent shocking during transportation, and also should avoid excessive press, water, damp and sunshine.